

# Plunger Pumps

## FEATURING

**MANIFOLD:** High strength forged brass or nickel plated for long term use.

**BOLTS:** Eight 10mm grade 8.8.

**PLUNGERS:** A special thick solid ceramic for long life, strong durability and more resilience.

**CRANKCASE:** Precision die-cast, large cooling fins and anodized for maximum heat dissipation. Bayonet style sight glass located in the rear and side cover, fill and side and bottom drain plugs.

**BEARINGS:** Oversized premium tapered roller bearing for maximum life and load distribution.

**BEARINGS SUPPORTS:** Precision die-cast and machined to assure concentricity and alignment.

**VALVES, SEATS, AND SPRINGS:** Stainless steel with specially designed Ultra Form cages to provide long life and positive seating.

**SEALS AND U-PACKINGS:** Continuously lubricating for extended life. Triple lip oil seal for assured crankcase seal.

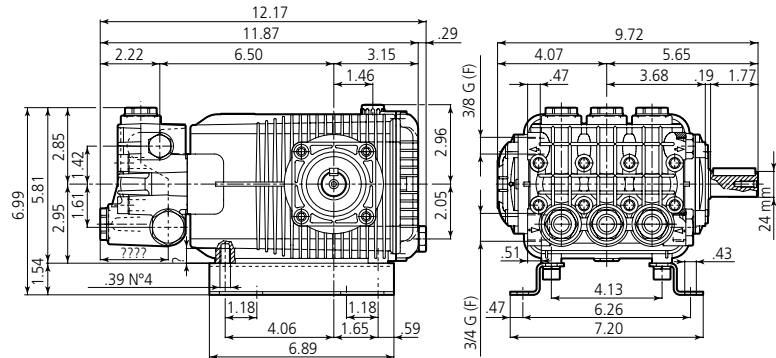
**PLUNGER RODS:** High strength stainless steel, for heavy duty use.

**CONNECTING RODS:** Two-piece special alloy aluminum based material, oversized for maximum strength, load disbursement, and long life. Heavy pin area construction, for added load strength.

## DIMENSIONS



XWT N version Solid shaft pump ø 24 mm



## SPECIFICATIONS

MODEL	MAX GPM	MAX LMP	MAX PSI	MAX BAR	POWER EBHP	BORE DIA MM	STROKE MM	CRANKSHAFT ID STAMP	WEIGHT LBS.
XWT21.20N	5.55	21	2900	200	11.0	28	19.8	1	34

Oil Capacity = 32oz

Maximum Fluid Temperature = 140° F

Inlet Thread = 3/4" F

Discharge Thread = 3/8" F

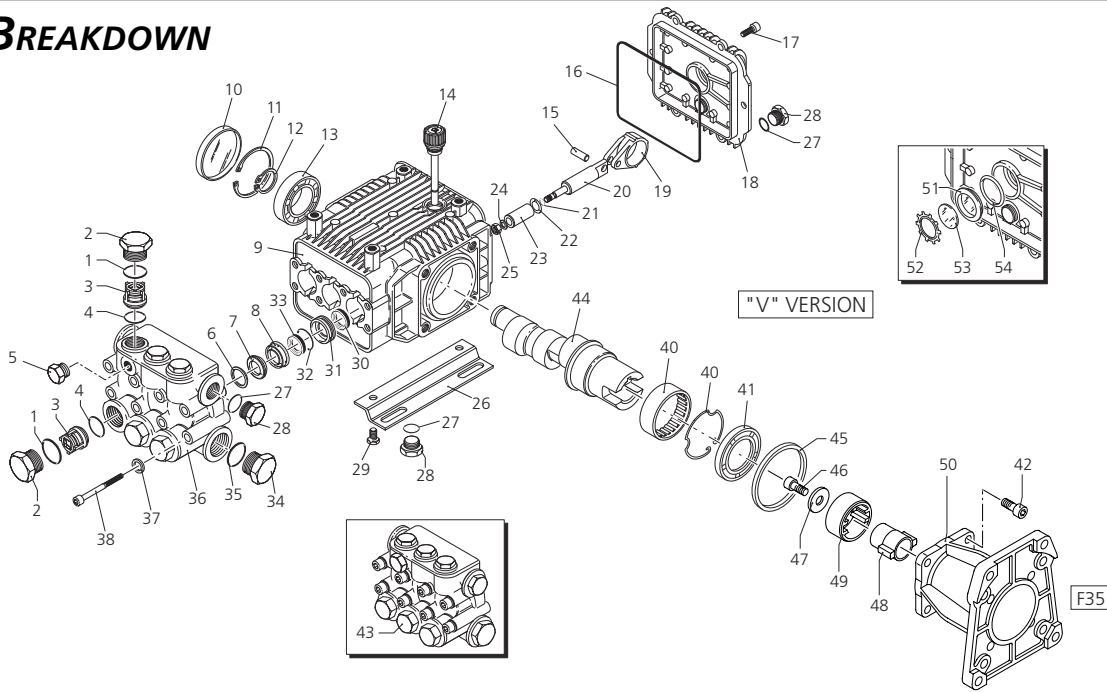
### Torque Specifications Inch pounds (ft. lbs)

HEAD	PISTON NUT	REAR COVER	SIDE COVER	VALVE CAP	CON RODS
442 (37)	106 (8.8)	92 (7.7)	217 (18)	602 (50)	89 (7.5)

**SPECIAL NOTE:** Use AR64516 Oil. First change oil after 50 hours of use. Then every 500 hours. This oil is specially formulated to provide correct lubrication properties for our pumps. **No** other oil is factory approved for these pumps.



**PARTS BREAKDOWN**



Pos.	Code	Description	Qty.	Pos.	Code	Description	Qty.	<b>Legend</b>			
1	1940260	Screw	8	40	1780690	Disc	1	Ø 28 XWT21.20N			
2	650530	Washer	8	41	1140450	O-Ring	1				
3	1940140	Plug	6	42	820680	Seal	1	<b>Repair Kits</b>			
4	1940150	Ring	6	43	1940560	Seal	3				
5	1140450	O-Ring	12	44	1940370	Base	2	Water Seal	Valve	Pistons	Oil Seals
6	1949050	Complete valve	6	45	1940380	Screw	4	Kit 1853	Kit 2780	Kit 1849	Kit 1853
7	1941550	Pump head	1	46	200231	Washer	4	Pos. Qty.	Pos. Qty.	Pos. Qty.	Pos. Qty.
8	550350	O-Ring	1	47	1941240	Open bearing support	1	12 3	5 6	19 3	25 2
9	1140300	Plug 3/4" G	1	48	1949205	Pump head assem Ø28	1	14 3	6 6		37 1
10	1980740	Plug 3/8" G	3	49	1941270	Oil indicator	1	16 3			42 1
11	740290	O-Ring	3	50	100410	O-Ring	1				43 1
12	1941570	Support ring Ø28	6	51	1941260	Disc	1	Piston Guide Kit 2507 Pos. Qty. 13 3 15 3			
13	1140280	Front piston guide Ø28	3	52	1941290	Snap ring	1				
14	820630	Gasket Ø28	6					<b>Special Parts</b>			
15	1941560	Rear piston guide Ø28	3					Code	Description	Qty.	
16	1140490	O-Ring	3					2036	Viton water seals Ø28	1	
17	1940570	Nut	3								
18	1940580	Washer	3								
19	1140190	Piston Ø28	3								
20	880840	O-Ring	3								
21	1140160	Spacer Ø28	3								
22	1940120	Ring	3								
23	1940070	Guiding piston	3								
24	1940060	Piston pin	3								
25	1941380	O-Ring	3								
26	1941390	0,05 mm shim	1-3								
26	1941400	0,10 mm shim	1-3								
26	1941410	0,19 mm shim	1-3								
26	1941420	0,25 mm shim	1-3								
27	1949011	Complete side cover	1								
28	850370	Screw	8								
29	1140410	Bearing	2								
30	1940050	Con rod	3								
31	1940160	Crankshaft	1								
32	620250	Key	1								
33	1941330	Pump housing	1								
34	1140370	Oil cap	1								
35	1260250	Oil indicator	1								
36	1260430	Snap ring	1								
37	1940410	O-Ring	1								
38	1200430	Screw	6								
39	1949010	Complete cover	1								

